

- 1
- 2
- 3
- 4
- 5
- 6
- 7
- 8
- 9
- 10
- 11
- 12
- 13
- 14
- 15
- 16
- 17
- 18

LEVER BODY

Die-cast zinc alloy with epoxy resin coating, sand-blasted matte finish.

STANDARD EXECUTIONS

Retaining screw with six-lobed socket to fit TORX®* (see communication attached).

AISI 301 stainless steel return spring. Black-oxide steel clamping element and retaining screw.

- **GN 300.1 (d1)**: threaded hole
- **GN 300.1 (d1 - I2)**: threaded screw.

FEATURES AND APPLICATIONS

Particularly suitable when the lever turning angle is limited owing to lack of space.

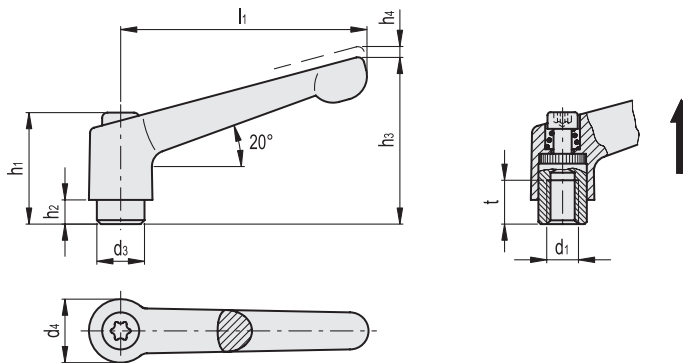
INSTRUCTIONS OF USE

For clamping, lift the lever to disengage the clamping device teeth and bring it back to start position. By releasing the lever, the return spring automatically engages the teeth.

If the lever cannot make a 360° rotation, the clamping element can be easily screwed by means of the six-lobed socket front head screw (after having disengaged the lever).

SPECIAL EXECUTIONS ON REQUEST

- Lever body in different colours.
- Chrome-plated lever.
- Clamping element with different threadings and lengths.

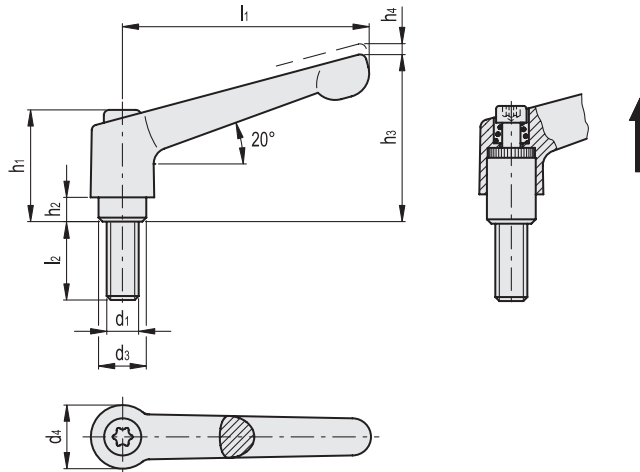


Conversion Table	
1 mm = 0.039 inch	
mm	inch
30	1.18
45	1.77
63	2.48
78	3.07
92	3.62
108	4.25

GN 300.1 (d1)

Code	Description	d1	l1	d3	d4	h1	h2	h3	h4	tmin	⚖️
GN.15101	GN 300.1-30-M3-SW	M 3	30	10	13	24.5	4	31	3.5	7	30
GN.15102	GN 300.1-30-M4-SW	M 4	30	10	13	24.5	4	31	3.5	9	26
GN.15103	GN 300.1-30-M5-SW	M 5	30	10	13	24.5	4	31	3.5	9	24
GN.15104	GN 300.1-30-M6-SW	M 6	30	10	13	24.5	4	31	3.5	9	23
GN.15111	GN 300.1-45-M6-SW	M 6	45	10	13	24.5	4	34	3.5	9	30
GN.15131	GN 300.1-63-M8-SW	M 8	63	13.5	17.5	31	6.5	45	4	11	70
GN.15151	GN 300.1-78-M10-SW	M 10	78	16	21	36	8	54	4	14	119
GN.15171	GN 300.1-92-M12-SW	M 12	92	19	24	43	11	64	4	17	174
GN.15191	GN 300.1-108-M16-SW	M 16	108	23	30	50.5	12	75	5	22	259

Clamping handles



Conversion Table	
1 mm = 0.039 inch	
l1	
mm	inch
30	1.18
45	1.77
63	2.48
78	3.07
92	3.62

GN 300.1 (d1 - l2)

METRIC

Code	Description	d1	l1	d3	d4	h1	h2	h3	h4	l2	⚖️
GN.15235	GN 300.1-30-M3-6-SW	M 3	30	10	13	24.5	4	31	3.5	6	23
GN.15236	GN 300.1-30-M3-8-SW	M 3	30	10	13	24.5	4	31	3.5	8	24
GN.15237	GN 300.1-30-M3-10-SW	M 3	30	10	13	24.5	4	31	3.5	10	25
GN.15238	GN 300.1-30-M3-12-SW	M 3	30	10	13	24.5	4	31	3.5	12	27
GN.15239	GN 300.1-30-M3-16-SW	M 3	30	10	13	24.5	4	31	3.5	16	28
GN.15241	GN 300.1-30-M4-12-SW	M 4	30	10	13	24.5	4	31	3.5	12	22
GN.15242	GN 300.1-30-M4-16-SW	M 4	30	10	13	24.5	4	31	3.5	16	23
GN.15243	GN 300.1-30-M4-20-SW	M 4	30	10	13	24.5	4	31	3.5	20	24
GN.15244	GN 300.1-30-M4-25-SW	M 4	30	10	13	24.5	4	31	3.5	25	25
GN.15245	GN 300.1-30-M4-32-SW	M 4	30	10	13	24.5	4	31	3.5	32	26
GN.15251	GN 300.1-30-M5-12-SW	M 5	30	10	13	24.5	4	31	3.5	12	27
GN.15252	GN 300.1-30-M5-16-SW	M 5	30	10	13	24.5	4	31	3.5	16	28
GN.15253	GN 300.1-30-M5-20-SW	M 5	30	10	13	24.5	4	31	3.5	20	30
GN.15254	GN 300.1-30-M5-25-SW	M 5	30	10	13	24.5	4	31	3.5	25	32
GN.15255	GN 300.1-30-M5-32-SW	M 5	30	10	13	24.5	4	31	3.5	32	33
GN.15256	GN 300.1-30-M5-40-SW	M 5	30	10	13	24.5	4	31	3.5	40	35
GN.15257	GN 300.1-30-M5-50-SW	M 5	30	10	13	24.5	4	31	3.5	50	36
GN.15261	GN 300.1-30-M6-12-SW	M 6	30	10	13	24.5	4	31	3.5	12	26
GN.15262	GN 300.1-30-M6-16-SW	M 6	30	10	13	24.5	4	31	3.5	16	27
GN.15263	GN 300.1-30-M6-20-SW	M 6	30	10	13	24.5	4	31	3.5	20	28
GN.15264	GN 300.1-30-M6-25-SW	M 6	30	10	13	24.5	4	31	3.5	25	30
GN.15265	GN 300.1-30-M6-32-SW	M 6	30	10	13	24.5	4	31	3.5	32	30
GN.15266	GN 300.1-30-M6-40-SW	M 6	30	10	13	24.5	4	31	3.5	40	32
GN.15267	GN 300.1-30-M6-50-SW	M 6	30	10	13	24.5	4	31	3.5	50	34
GN.15211	GN 300.1-45-M6-16-SW	M 6	45	10	13	24.5	4	34	3.5	16	31
GN.15221	GN 300.1-45-M6-20-SW	M 6	45	10	13	24.5	4	34	3.5	20	32
GN.15231	GN 300.1-45-M6-25-SW	M 6	45	10	13	24.5	4	34	3.5	25	33
GN.15271	GN 300.1-63-M8-16-SW	M 8	63	13.5	17.5	31	6.5	45	4	16	84
GN.15281	GN 300.1-63-M8-20-SW	M 8	63	13.5	17.5	31	6.5	45	4	20	85
GN.15291	GN 300.1-63-M8-25-SW	M 8	63	13.5	17.5	31	6.5	45	4	25	86
GN.15301	GN 300.1-63-M8-32-SW	M 8	63	13.5	17.5	31	6.5	45	4	32	88
GN.15311	GN 300.1-63-M8-40-SW	M 8	63	13.5	17.5	31	6.5	45	4	40	90
GN.15341	GN 300.1-78-M10-20-SW	M 10	78	16	21	36	8	54	4	20	138
GN.15361	GN 300.1-78-M10-25-SW	M 10	78	16	21	36	8	54	4	25	140
GN.15371	GN 300.1-78-M10-32-SW	M 10	78	16	21	36	8	54	4	32	143
GN.15381	GN 300.1-78-M10-40-SW	M 10	78	16	21	36	8	54	4	40	148
GN.15421	GN 300.1-92-M12-32-SW	M 12	92	19	24	43	11	64	4	32	200
GN.15431	GN 300.1-92-M12-40-SW	M 12	92	19	24	43	11	64	4	40	208



Clamping handles